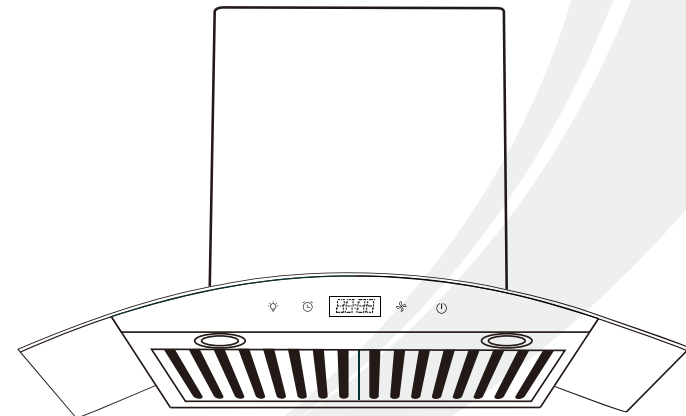


FIREGAS

INSTALLATION AND USER'S MANUAL

FIREGAS

Thanks for reading.
We wish you a lot of fun cooking



FGS-USG26G75CC
FGS-USG43G75CC

IMPORTANT NOTICE:
Read and save these instructions.
Installer: Leave this guide with the homeowner.
Homeowner: Keep this guide for future reference.



www.firegaskitchen.com

CONTENT

Introduction	2
Safety Precaution	2
Parts Diagram	3-4
Installation Instructions	5-6
Air Outlet Installation Method	6
Installation	7-8
Filter Installation	9
Oil Cup Installation	9
Operation	10-11
Maintenance	11-13
Trouble-Shooting	14
Environmental Protection	14

NOTE:

You can also watch the installation video from **Support > Installation Guide** by visiting our website: **www.firegaskitchen.com**
We will update at any time, please visit the website for more information.

Introduction

Thank you for choosing this cooker hood.

- This instruction manual is designed to provide you with all required instructions related to the installation, use and maintenance of the appliance.
- In order to operate the unit correctly and safely, please read this instruction manual carefully before installation and usage.

Safety Precaution

- Never let the children operate the machine.
- The cooker hood is for home use only, not suitable for barbecue, roast shop and other commercial purpose.
- Clean the cooker hood according to the instruction manual and keep the unit from danger of burning. There is a fire risk if cleaning is not carried out in accordance with the instructions.
- Please keep the kitchen room a good convection before connecting this appliance; Please check that the power supply cord is undamaged. A damaged supply cord must be replaced by qualified service personnel only.
- Regulations concerning the discharge of air have to be fulfilled.
- This appliance can be used by children aged from 8 years and above also the persons with reduced physical, sensory or mental capabilities or lack of experience and knowledge if they have been given supervision or instruction concerning use of the appliance in a safe way and understand the hazards involved. Children shall not play with the appliance. Cleaning and user maintenance shall not be made by children without supervision.
- If the supply cord is damaged, it must be replaced by the manufacturer, its service agent or similarly qualified persons in order to avoid a hazard.

CAUTION:

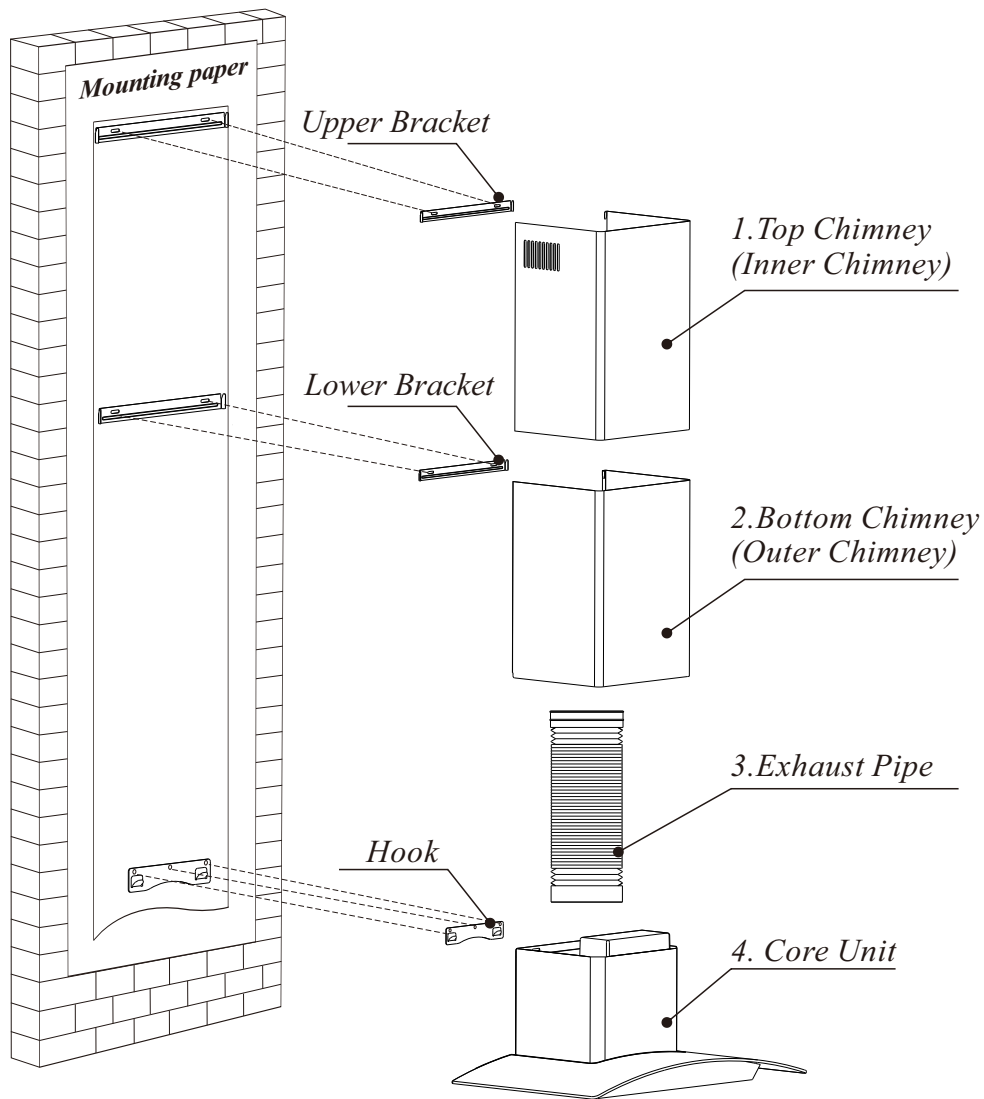
Accessible parts may become hot when used with cooking appliance.

Electrical Shock Hazard

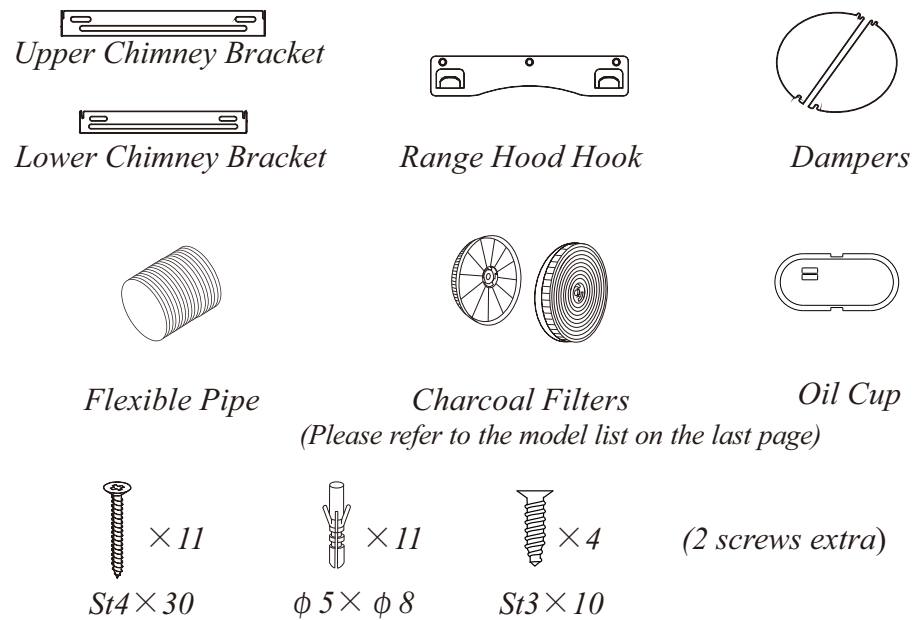
Only plug this unit into a properly earthed outlet.

If you have doubts, seek advice from a suitably qualified engineer.

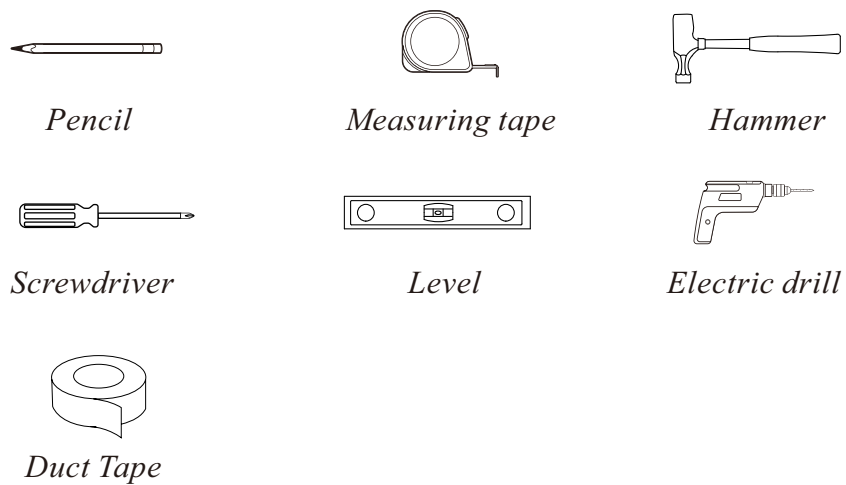
Parts Diagram



Parts Supplied

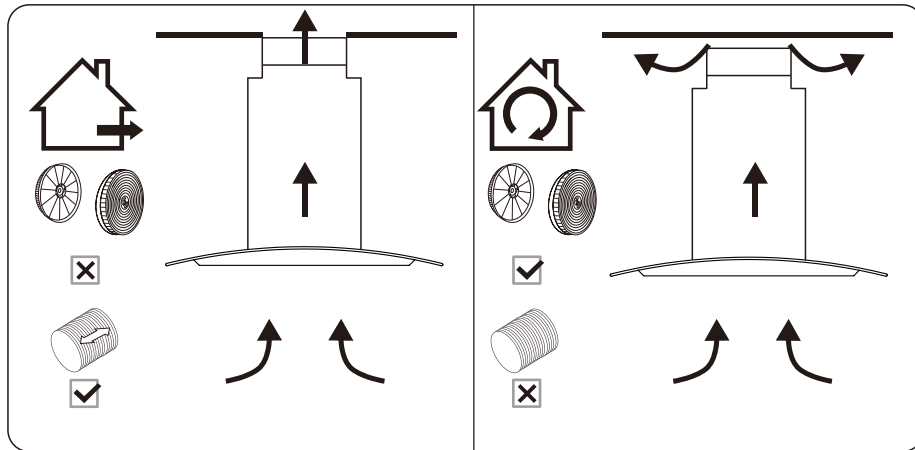


Tools Required



Installation Instructions

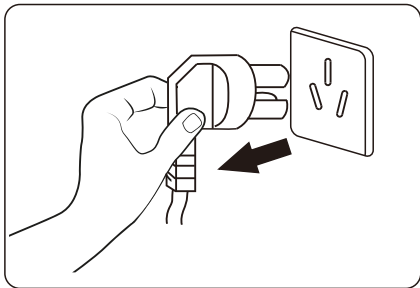
Prepare for installation:



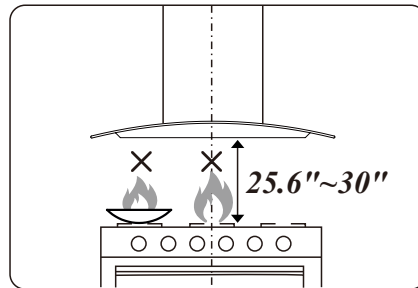
DUCTED OPTION

RECIRCULATION OPTION

a. If you have an outlet to the outside, your cooker hood can be connected as above picture by means of a pipe (with an interior diameter of 150mm). If you don't have an outlet to the outside, you can go with recirculation mode by using charcoal filters.



b. Before installation, turn the unit off and unplug it from the outlet.



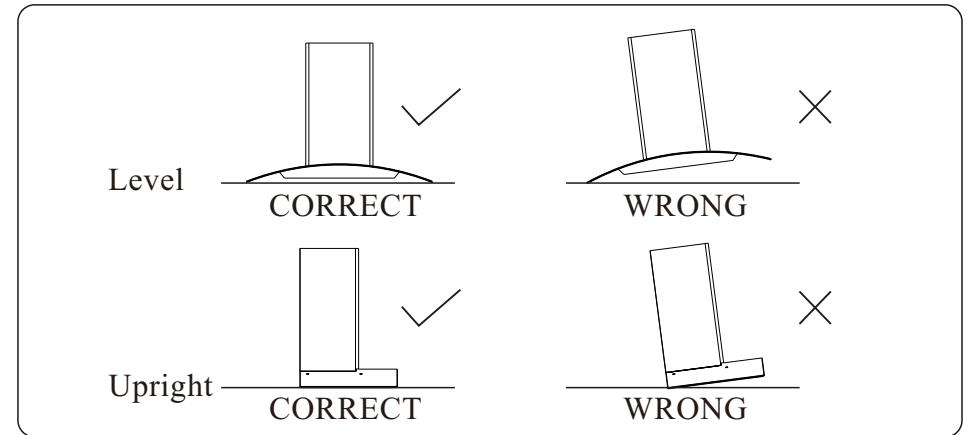
c. The cooker hood should be placed at a distance of 25.6"~30" above the cooktop for the best effect.

Note: The power cord is 47 (in) L. It is not recommended that user replace the power cord or cut the power cord.



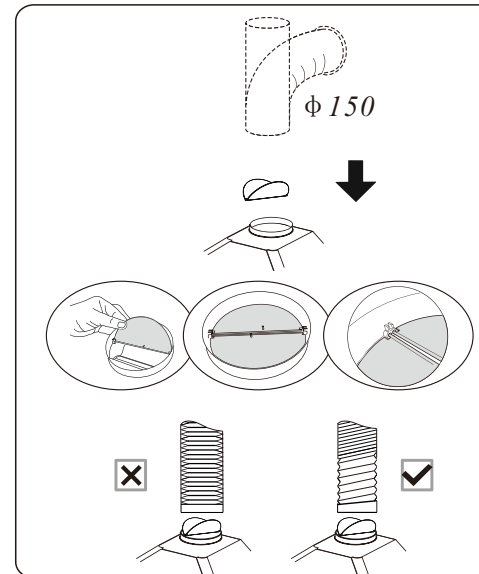
Note

No open flames directly approach to the range hood.



After hanging the unit on the wall, ensure the range hood is straight and horizontal.

Air Outlet Installation Method



Installation method for 150mm diameter pipe: insert the one-way-value as the pic and fix the duct.

Attention: The bump of the one-way-value must be upward.

The pipe near the air outlet need to be fully extended.

Installation

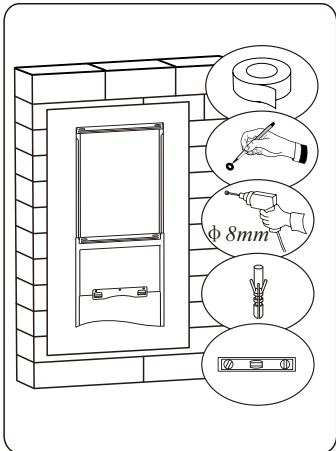
i Please connect the power supply to test and confirm that the Note power is on before installing this wall mount range hood.

(1) Watch the installation video:



In order to know how to install this wall mount range hood more intuitively, please scan the QR code to watch the installation video.

(2) Refer to the installation instructions:



Prepare pencil, electric drill, plastic wall anchors and level before installation.
Recommended installation height: 27.6"
Required minimum installation height: 25.6"

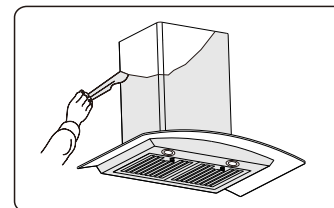
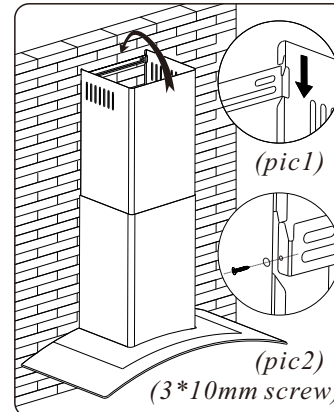
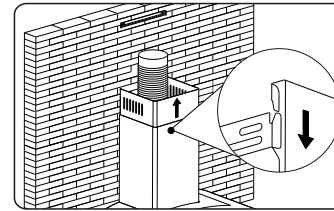
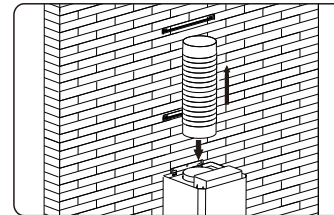
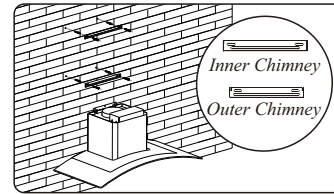
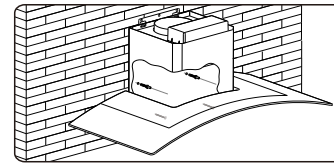
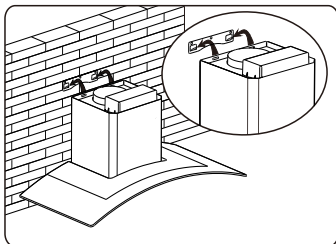
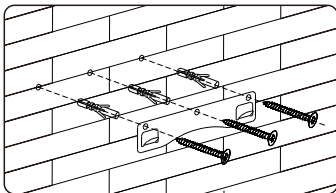
1. Stick the installation template on the wall.
2. Drill the holes which showing on the template.

CAUTION:

Peel off the paper after drilling the holes.
The chimney covers height can be adjusted from 500mm to 750mm.

Drill 3 x 8mm holes to accommodate the bracket. Screw and tighten the hook onto the wall with the screws & plastic wall anchors provided.

Lift the cooker hood and hang onto the wall hook.



Need to drill 2x8mm extra holes & fixing screws & plastic wall anchors before installation.

Mark the position and drill 2 holes for each chimney bracket and tighten the bracket with screws.

i The longer bracket is upper Note chimney bracket

Fix the one-way-valve to the air outlet of the cooker hood, and then attached the pipe onto the air outlet as picture.

Put the upper chimney into lower chimney . Then pulling out the upper chimney upwards. Adjust to reach the height required.

There are 2 methods for installing the chimney cover. Please check the below pic for reference.

1. After drilling the 2 holes and fixing the bracket, hang the chimney cover by matching the both side lock. (Pic1)

2. After drilling the 2 holes and fixing the bracket, install the chimney cover by locking with 2 screws in both side holes. (Pic2)

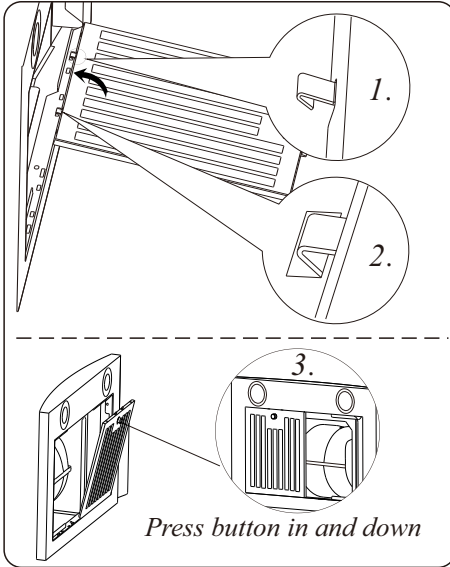
CAUTION:

BEFORE USE

Please remove the white/blue protective film on the rangehood, chimney covers and baffle filters.

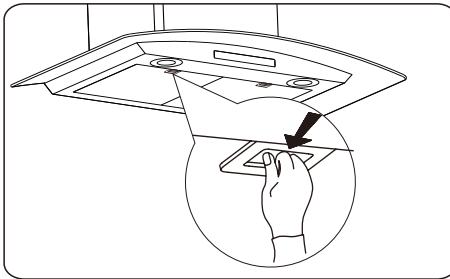
Filter Installation

Baffle Filter:

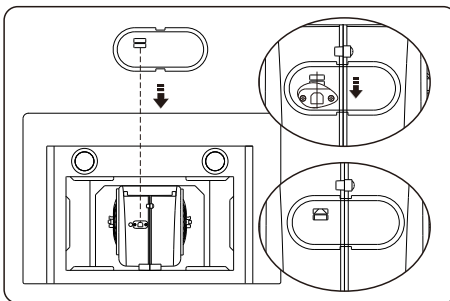


1. Line up filter hooks to holes in unit.
2. Lift filter for hooks to go into holes.
3. Lock Filter into place.

Aluminium Filter:



Oil Cup Installation



1. Line up Oil Cup.
2. Pull down.
3. Snap into place.

Operation

Push Button



- 0 OFF Button**
Turn off the fan.
- 1 Low Speed Button**
Starts the fan at low speed .
It is suitable for simmering and cooking which does not make much steam.
- 2 Medium Speed Button**
Starts the fan at medium speed.
This is ideal for ventilation during standard cooking operation.
- 3 High Speed Button**
Starts the fan at high speed.
This is ideal for when a high density of smoke or steam has been produced.
- Light Button**
Used for turning on/off the light.

Electronic Button



- OFF Button**
Press to turn unit Off. When motor is running, press once to delay shut-off for 1 minute, or press twice to shut off immediately.
- Lowest Fan Setting**
- Medium Fan Setting**
- Highest Fan Setting**
- Light.** Press to turn light on / off.

Touch control



Connect to the power, it access into standby mode with “Bi” sound. LED screen shows time in blue color and only light button can be operated . In activated mode, all icons are not illuminated.

- Ⓜ During standby mode, press the ON/OFF button for 0.5 sec to access activated mode. In activated mode, this button is illuminated and speed button can be operated. Press ON/OFF button again can access into standby mode.
- ✪ During activated mode, press speed button to operate the machine from 1st speed - 2nd speed - 3rd speed - Stop.
- Ⓜ a, Delay function: When machine is running, press timer button to access into delay function. Choose the time and without any operation for 10s, the machine will start the count down and will be off after count down is finishing.
Delay timer setting: Default time is 3 mins. When the delay button is flashing, press this button to increase minutes. (Delay timer can be set from 1-60mins)
Count down mode: The timer button illuminates in blue and the machine will create “Bi” sound at the last 3 sec to finish the count down. If you want to stop the count down, press this button again to exit this mode.
- b, Timer setting function: During standby or activated mode, press this button for 1s to access into timer setting function with the LED screen timer flashing. Press timer button to increase hour and press light button to increase min. After setting, press this button again or wait for 10 sec without any operation to settle down the timer.
- 💡 Press light button to control light ON or OFF.

Maintenance

Before cleaning switch the unit off and pull out the plug.

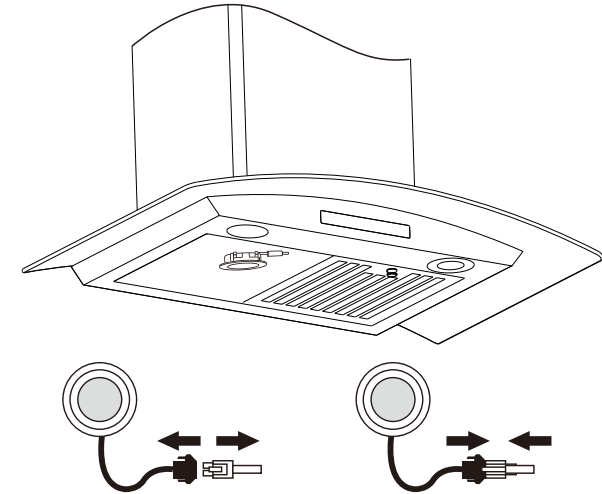
I. Regular Cleaning

Use a soft cloth moistened with hand-warm mildly soapy water or household cleaning detergent. Never use metal pads, chemical, abrasive material or stiff brush to clean the unit.

II. LED Light Replacement

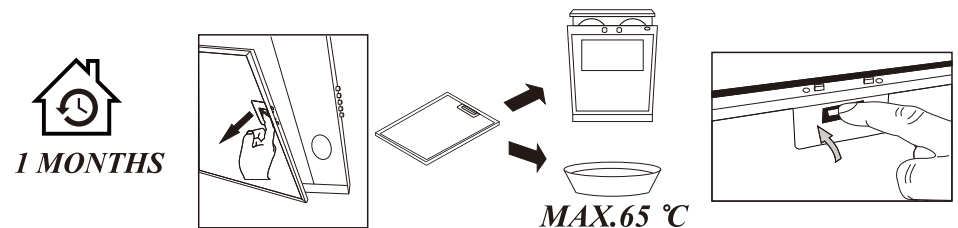
Switch the unit off and unplug the appliance.

CAUTION: LAMP UNIT MAY BE HOT!
WAIT UNTIL THE UNIT IS COOL. BEFORE attempting to replace the LED lamps make sure the unit is powered off and UNPLUGGED.



III. Filter and charcoal filters replacement

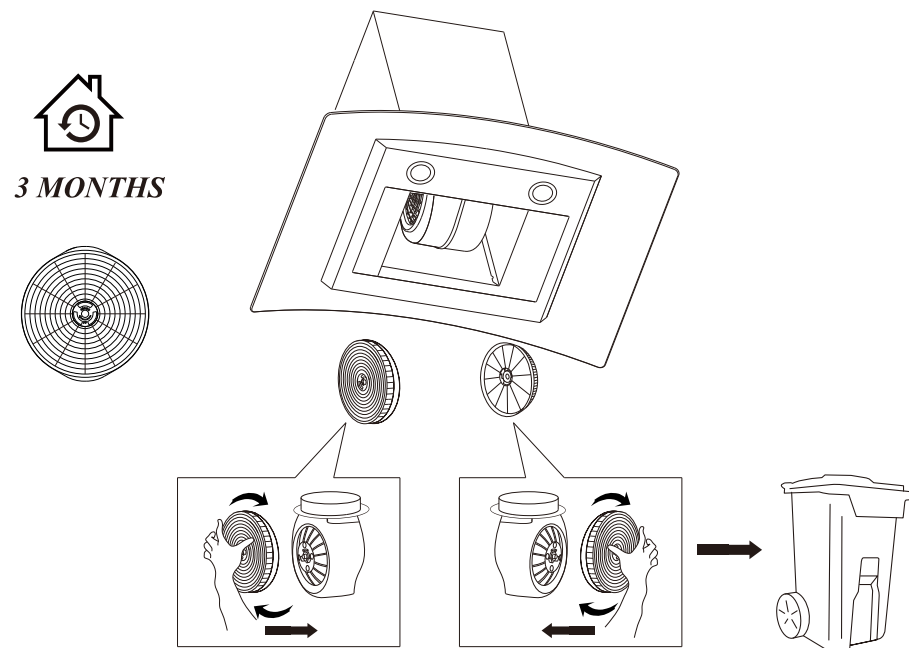
In order to install the carbon filter, the grease filter should be detached first. Press the lock and pull it downward.



Filters: To avoid fires, clean thoroughly once a month or whenever the display pilot lights up (if fitted). To do so, remove the filters and soak in hot water and detergent for an hour. If using a dishwasher, position the filters vertically to improve the cleaning process.

VI. Charcoal filter life time: Suggest changing to new one every 3 months (According to different kitchen condition, the life time of charcoal filter might be longer or shorter than 3 month).

Installation: Fix carbon filter into the unit and turn it as below picture shows. Repeat the same on the other side.



Important Notice:

1. Make sure the filter is securely locked. Otherwise, it would loosen and cause abnormal noise and danger.
2. Using charcoal filter would reduce the air flow of the range hood.

Trouble-Shooting

Fault	Cause	Solution
Light on, but fan does not work	The fan blade is jammed.	Switch off the unit and repair by qualified service personnel only.
	The motor is damaged.	
Both light and fan do not work	Light is burnt out.	Replace the LED light with correct rating.
	Power cord is loose.	Plug into the power supply again.
Serious Vibration of the unit	The fan blade is damaged.	Switch off the unit and repair by qualified service personnel only.
	The fan motor is not fixed tightly.	
	The unit is not hung properly on the bracket.	Take down the unit and check whether the bracket is in proper location.
Suction performance not good	Too far distance between the unit and the cooktop.	Readjust the distance between 25.6"-30"

Environmental Protection

Waste electrical products should not be disposed of with household waste. Please recycle where facilities exist. Check with your Local Authority or retailer for recycling advice.



Statement

Thank you for purchasing this product. FIREGAS is committed to providing our customers with professional quality kitchen ventilation. This document is designed to act as a quick reference guide for common scenarios and questions when installing a FIREGAS cooker Hood. for more instructions and details please refer to Installation Guide from www.firegaskitchen.com

Customer Service

If there is a problem with the cooker hood, you can contact customer service for a solution.

Email: support01@firegaskitchen.com

Website: www.firegaskitchen.com

Warranty

For full warranty details on this product please visit: www.firegaskitchen.com
Support > Warranty Registration

Product	Model
Sr. No. of Product	
Cash memo no./ Date of Sale	
Name & Address / Stamp of Dealer	
Signature of Dealer	

Model List

<i>Range Hood Model No.</i>	<i>Charcoal Filter Model No.:</i>
<i>FGS-USG26G75CC</i> <i>FGS-USG43G75CC</i>	<i>CC170</i>